

# 10/100Base-T 1x1 Tab-UP RJ45 Connector with Integrated Magnetics



- Meets IEEE 802.3 specification
- High performance for maximum EMI suppression
- Minimum 1500Vrms isolation per IEEE 802.3 requirement
- RoHS"NL" peak solder rating 260°C
- non-RoHS peak solder rating 235°C

**Electrical Specifications @ 25°C — Operating Temperature 0°C to 70°C**

Part Number	Tums Ratio		LEDs L/R	Insertion Loss TX/RX (dB MAX)	Return Loss (dB MIN) 100Ω(±15Ω)			Crosstalk (dB MIN)			Differential to Common Mode Rejection (dB MIN)		Hipot (Vrms MIN)
	TX	RX			1-65MHz	1-10MHz	30MHz	60-80MHz	1-10MHz	30-60MHz	60-100MHz	1-50MHz	
SH0C0003	1CT:1	1CT:1	No	-1.0	-18	-14	-10	-35	-35	-30	-20	-20	1500
SH0C0004	1CT:1	1CT:1	No	-1.0	-18	-14	-10	-35	-35	-30	-20	-20	1500
SH0C0005	1CT:1	1CT:1	No	-1.0	-18	-14	-10	-35	-35	-30	-20	-20	1500
SH0C0006	1CT:1	1CT:1	No	-1.0	-18	-14	-10	-35	-35	-30	-20	-20	1500
SHV006121	1CT:1	1CT:1	No	-1.0	-20	-16	-12	-40	-35	-30	-30	-20	1500
SHV011121	1CT:1	1CT:1	No	-1.0	-20	-16	-12	-40	-35	-30	-30	-20	1500
SHV026121	1CTS:1	1CT:1	No	-1.0	-20	-16	-12	-40	-35	-30	-30	-20	1500
SH3006G21D	1CT:1	1CT:1	G/Y	-1.0	-20	-16	-12	-40	-35	-30	-30	-20	1500
SH3011G21D	1CT:1	1CT:1	G/Y	-1.0	-20	-16	-12	-40	-35	-30	-30	-20	1500
SH3018G21K	1CTS:1.414	1CT:1	G/G	-1.0	-20	-16	-11.5	-40	-35	-30	-30	-20	1500
SH3026G01D	1CTS:1	1CT:1	G/Y	-1.0	-20	-16	-12	-40	-35	-30	-30	-20	1500
SH3026G21D	1CTS:1	1CT:1	G/Y	-1.0	-20	-16	-12	-40	-35	-30	-30	-20	1500

**NOTES:**

1. LEDs Left/Right: G = green; Y = yellow.
2. Add suffix "T" for Tape & Reel option (e.g. SH0C0004T).

**Description:**

10/100Base-TX surface mount RJ45 single port (1x1) Tab-UP/DOWN with or without LEDs Integrated Magnetics Connector, designed to support applications such as: Set Top Box and Network Interface Cards (NIC).

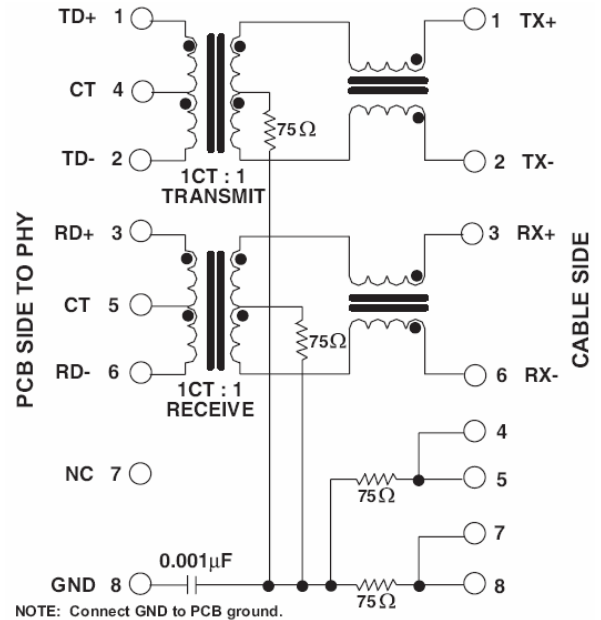
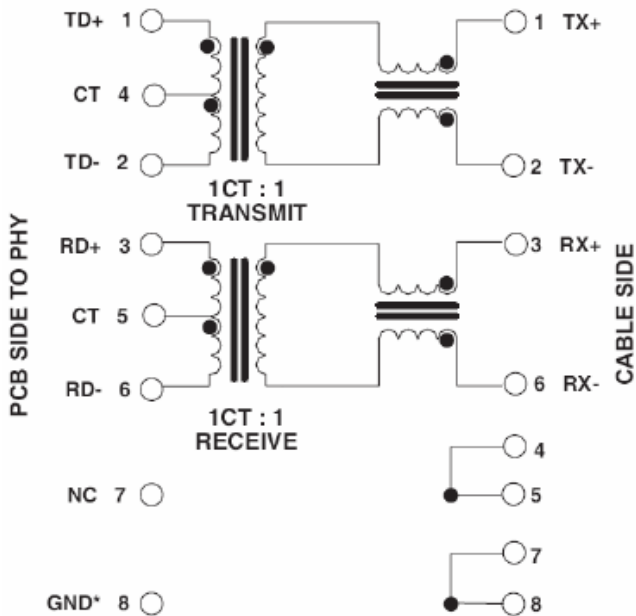
# 10/100Base-T 1x1 Tab-UP RJ45 Connector with Integrated Magnetics



## Schematics

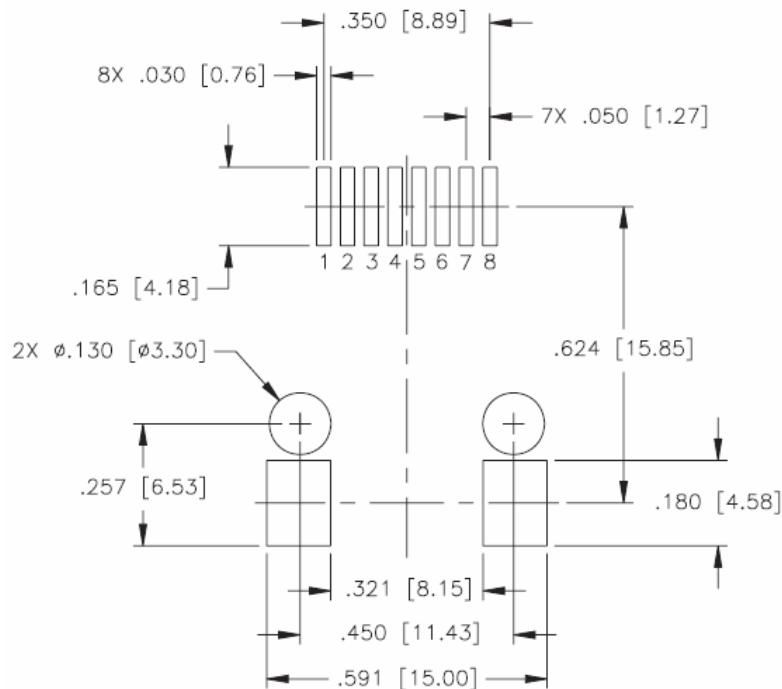
SH0C0003, SH0C0004

SH0C0005, SH0C0006



\*Connecting pin 8 to Ground makes SH000042/46/64/66 footprint compatible to SH000014/45/61/65

NOTE: Connect GND to PCB ground.



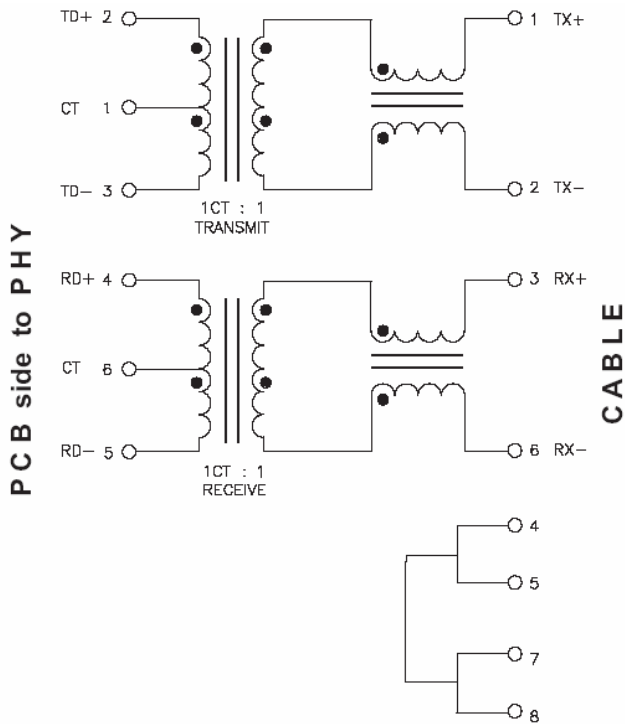
SUGGESTED FOOTPRINT (COMPONENT SIDE SHOWN)  
 DIMENSIONAL TOLERANCE: (UNLESS OTHERWISE SPECIFIED)  
 .XXX ±.003 [X.XX ±0.08]

# 10/100Base-T 1x1 Tab-UP RJ45 Connector with Integrated Magnetics

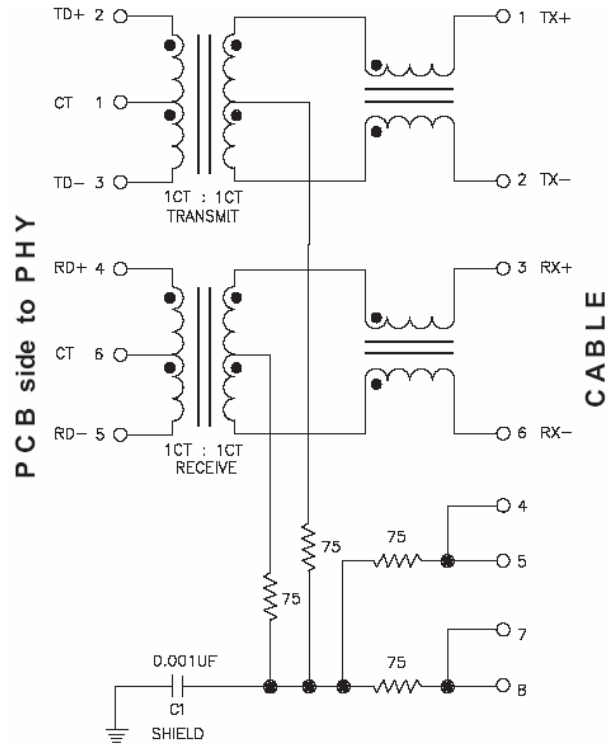


## Schematics

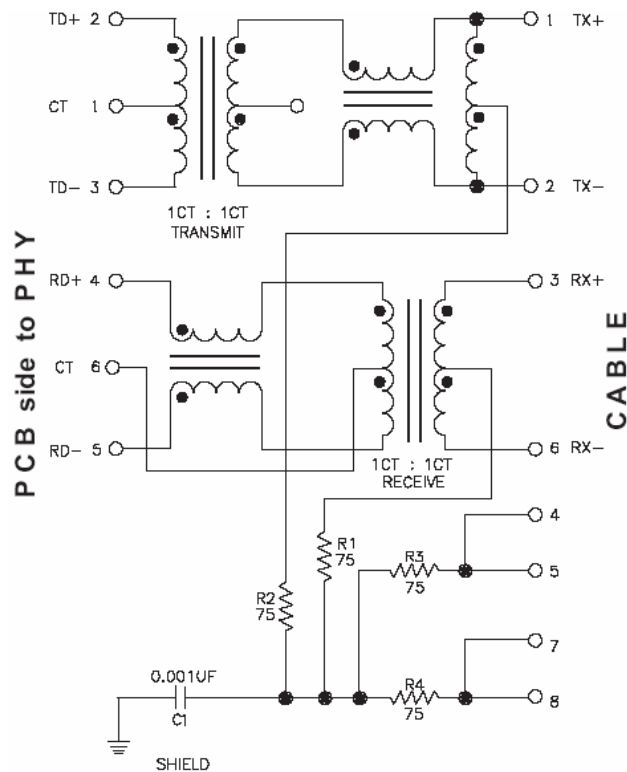
SHV006



SHV011



SHV026

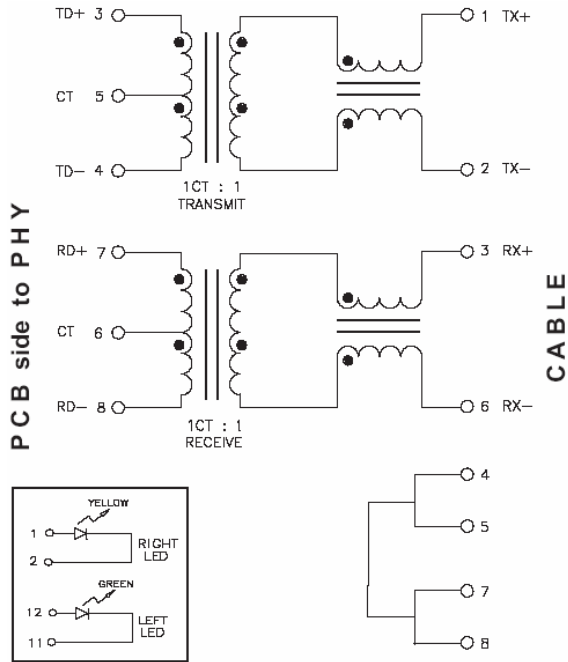


# 10/100Base-T 1x1 Tab-UP RJ45 Connector with Integrated Magnetics

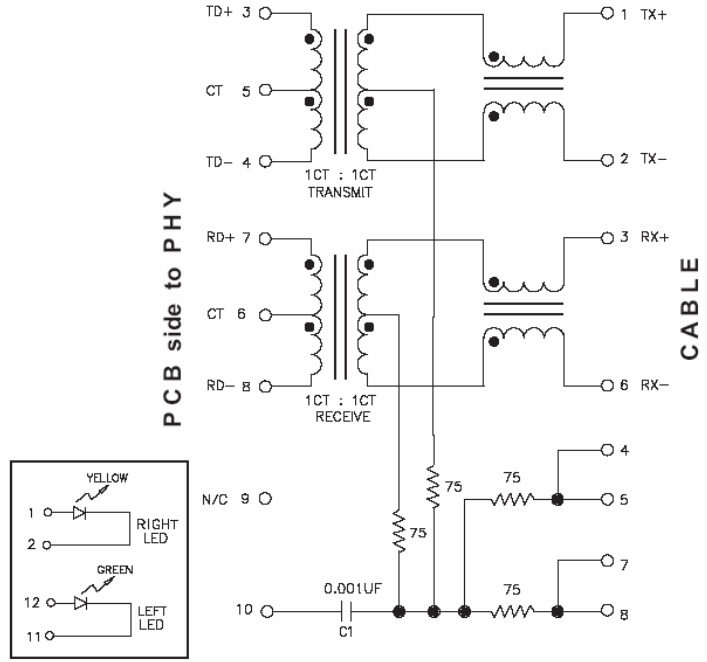


## Schematics

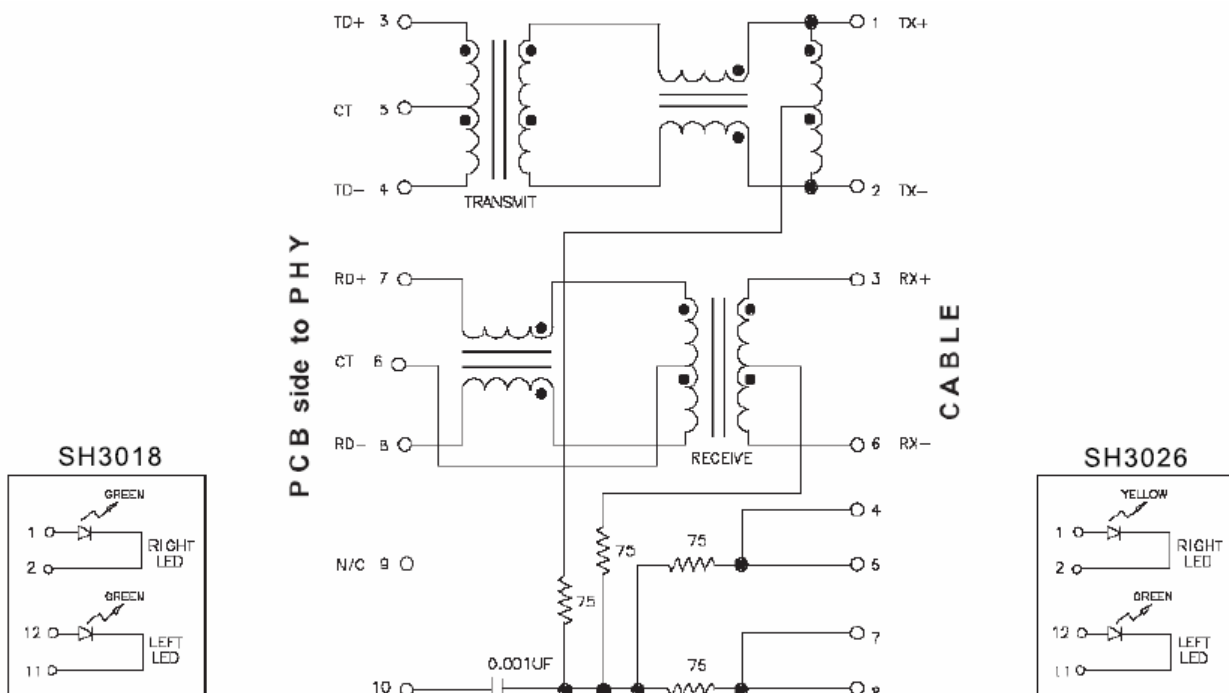
SH3006



SH3011



SH3018/SH3026

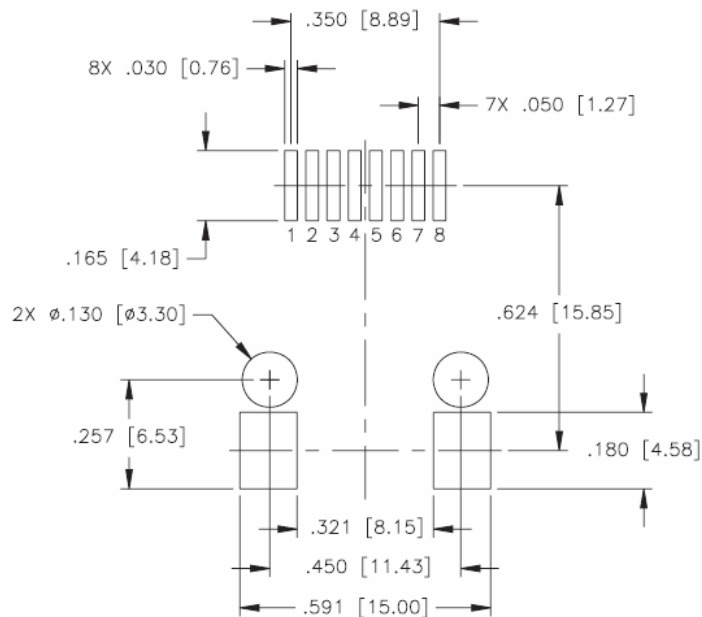
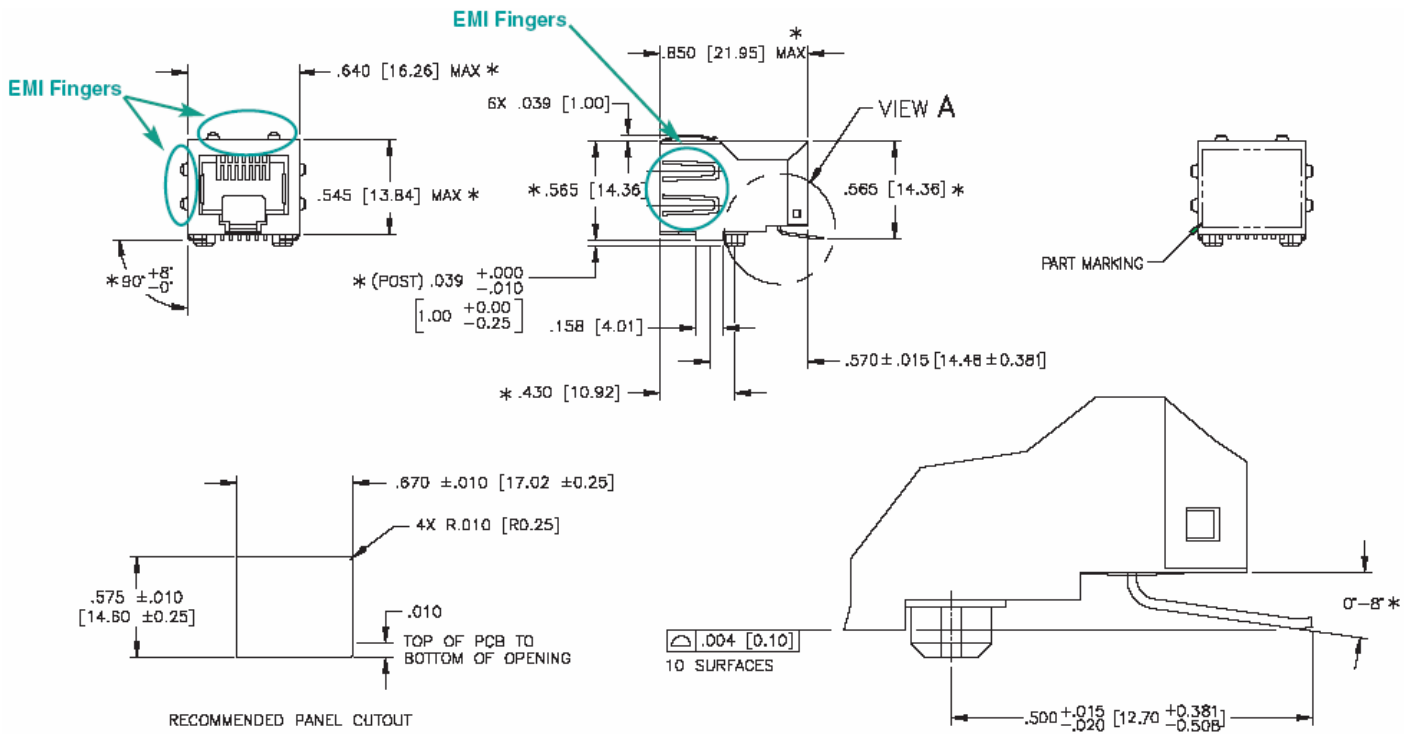


# 10/100Base-T 1x1 Tab-UP RJ45 Connector with Integrated Magnetics



## Mechanical

SH0C0004/6 (SH0C0003/5 – Same platform without EMI Fingers)



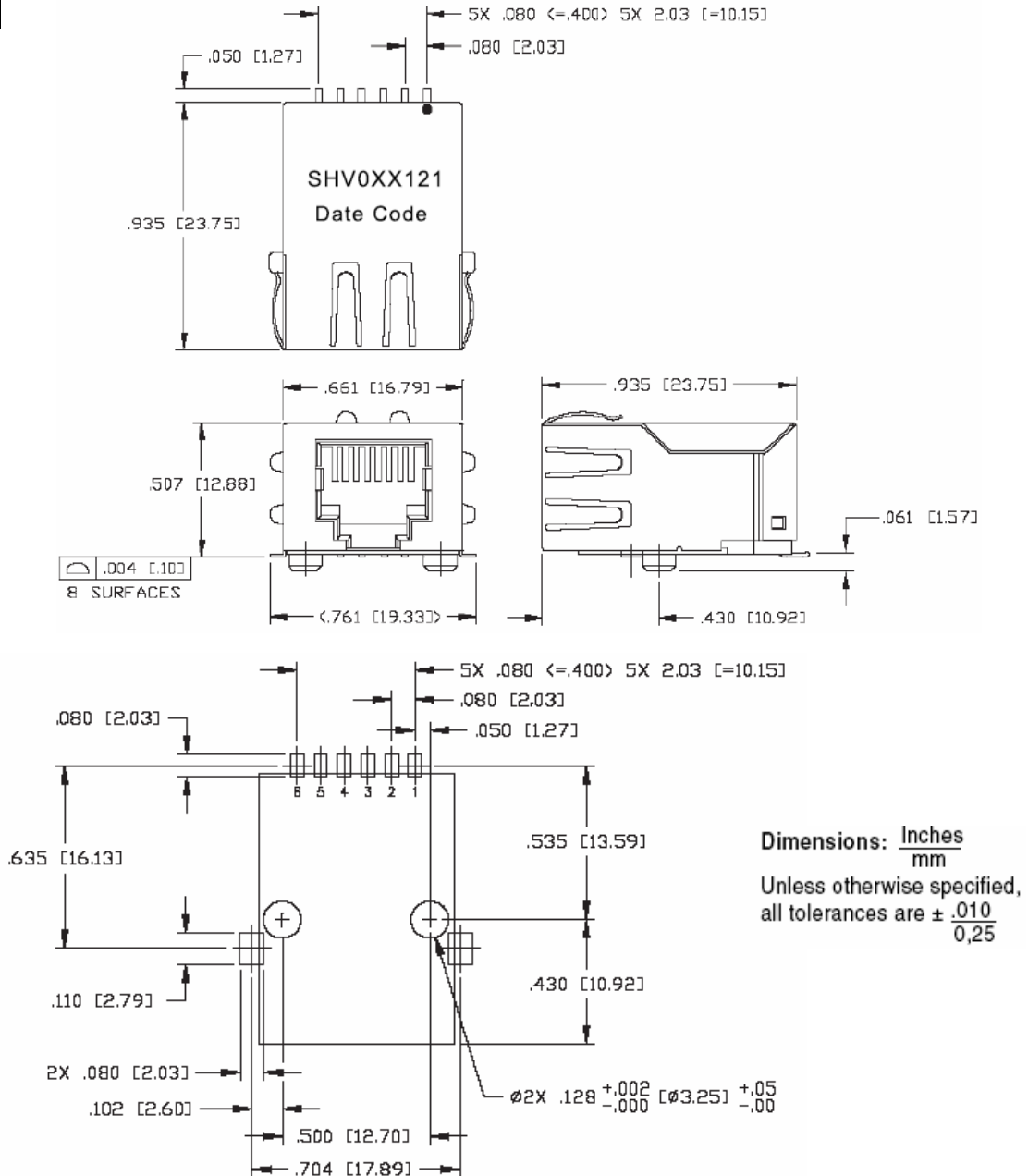
SUGGESTED FOOTPRINT (COMPONENT SIDE SHOWN)  
 DIMENSIONAL TOLERANCE: (UNLESS OTHERWISE SPECIFIED)  
 .XXX ±.003 [X.XX ±0.08]

# 10/100Base-T 1x1 Tab-UP RJ45 Connector with Integrated Magnetics

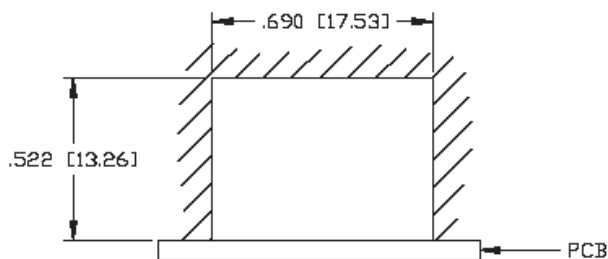


## Mechanical

SHV Series



SUGGESTED PC BOARD LAYOUT VIEWED FROM COMPONENT SIDE  
PCB LAYOUT DIMENSIONS TO BE  $\pm .003$  UNLESS OTHERWISE SPECIFIED



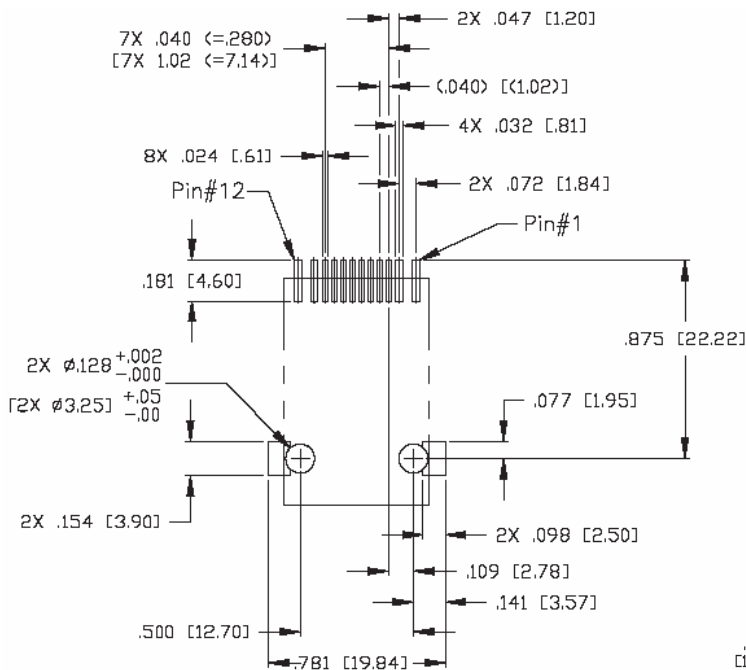
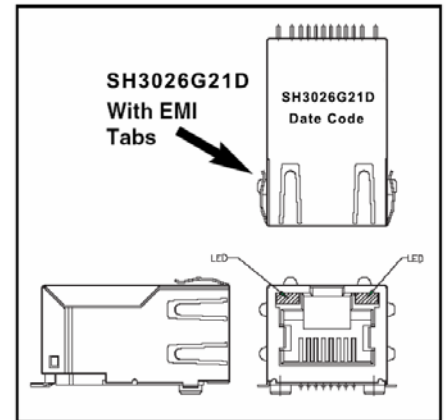
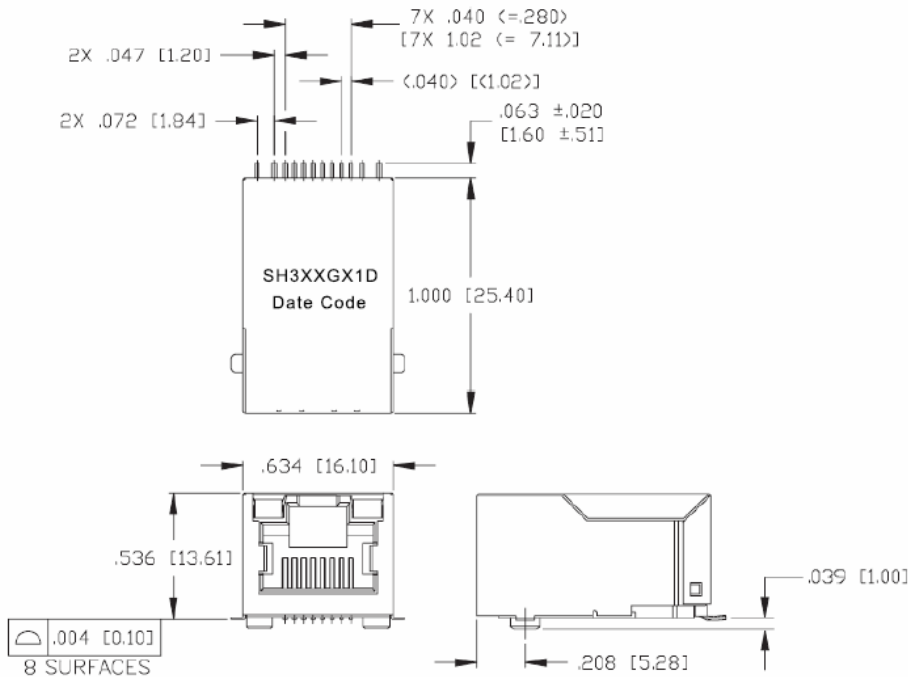
SUGGESTED PANEL OPENING

# 10/100Base-T 1x1 Tab-UP RJ45 Connector with Integrated Magnetics



## Mechanical

### SH3 Series



SUGGESTED PC BOARD LAYOUT VIEWED FROM COMPONENT SIDE  
PCB LAYOUT DIMENSIONS TO BE  $\pm .003$  [ $\pm 0.08$ ] UNLESS OTHERWISE SPECIFIED

Dimensions: Inches  
mm  
Unless otherwise specified,  
all tolerances are  $\pm \frac{.010}{0.25}$

