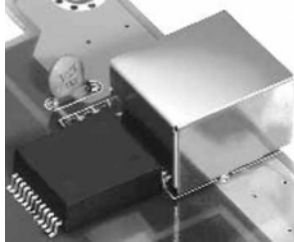


100BASE-T MAGNETICS MODULES

Designed to Support 1:1
Turns Ratio Transceivers



- Meets IEEE 802.3 specification
- RoHS"NL" peak solder rating 260°C
- non-RoHS peak solder rating 235°C

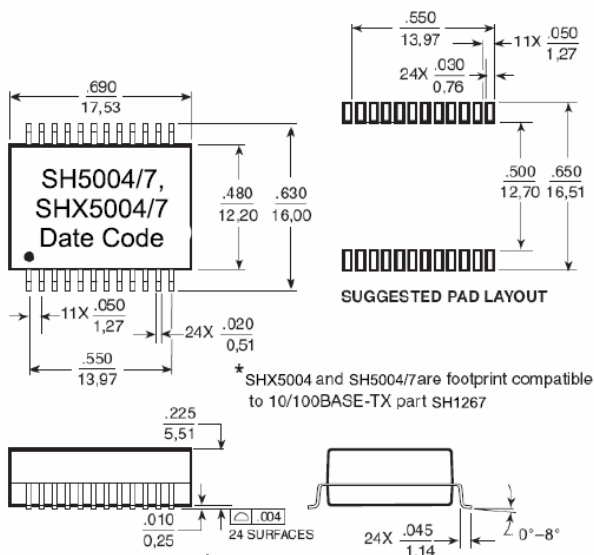
Electrical Specifications @ 25°C — Operating Temperature 0°C to 70°C

Part Number	Number Of Ports	Insertion Loss 1-100MHz (dB MAX)	Return Loss (dB MIN)					Differential to Common Mode Rejection (dB MIN)			Crosstalk (dB MIN)			Hipot (Vrms MIN)
			1-30MHz	40MHz	50MHz	60-80MHz	100MHz	30MHz	60MHz	100MHz	30MHz	60MHz	100MHz	
SH5004	1	-1	-18	-18	-16	-12	-10	-43	-37	-33	-43	-37	-33	1500
SHX5004	1	-1	-18	-18	-16	-12	-10	-43	-37	-33	-43	-37	-33	1500
SH5007	1	-1	-18	-18	-16	-12	-10	-43	-37	-33	-43	-37	-33	1500
SH5008	1	-1	-18	-18	-16	-12	-10	-43	-37	-33	-43	-37	-33	1500
SHX5008	1	-1	-18	-18	-16	-12	-10	-43	-37	-33	-43	-37	-33	1500
SH5009	1	-1	-18	-18	-16	-12	-10	-43	-37	-33	-43	-37	-33	1500
SH5012	2	-1.4	-16	-14.4	-13.1	-12	-10	-45	-40	-35	-43.5	-37.5	-33	1500
SH5014	2	-1.4	-16	-14.4	-13.1	-12	-10	-45	-40	-35	-43.5	-37.5	-33	1500
SHX5014	2	-1.4	-16	-14.4	-13.1	-12	-10	-45	-40	-35	-43.5	-37.5	-33	1500
SH5015	1	-1	-18	-18	-16	-12	-10	-43	-37	-33	-43	-37	-33	1500
SH5020	2	-1	-18	-14.4	-13.1	-12	-10	-40	-35	-30	-40	-33	-28	1500
SHX5020	2	-1	-18	-14.4	-13.1	-12	-10	-40	-35	-30	-40	-33	-28	1500
SH5089	2	-1.4	-16	-14.4	-13.1	-12	-10	-45	-40	-35	-43.5	-37.5	-33	1500

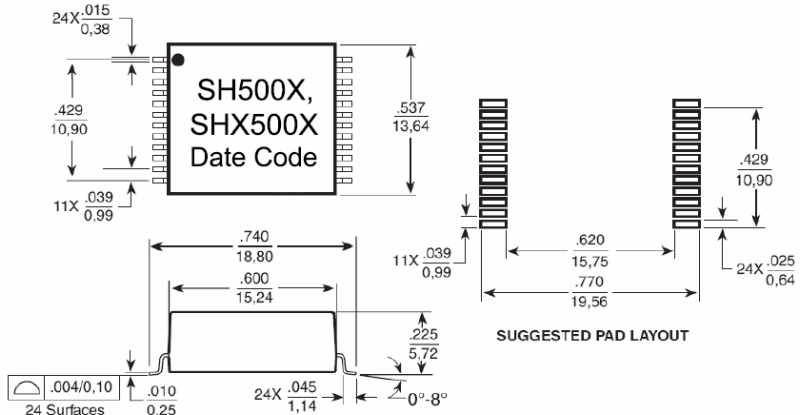
1. HX: Extended temperature version -40°C to +85°C
2. For Tape & Reel packaging, add a "T" suffix to the end of the part number when ordering, e.g. SH5007T.
3. MSL = Moisture Sensitivity Level a=1 b=2 c=3 d=4

Mechanical

SH5004, SHX5004, SH5007



SH5008, SHX5008, SH5009



Dimensions: $\frac{\text{Inches}}{\text{mm}}$ Unless otherwise specified, all tolerances are $\pm 0.10 / 0.25$

1000BASE-T MAGNETICS MODULES

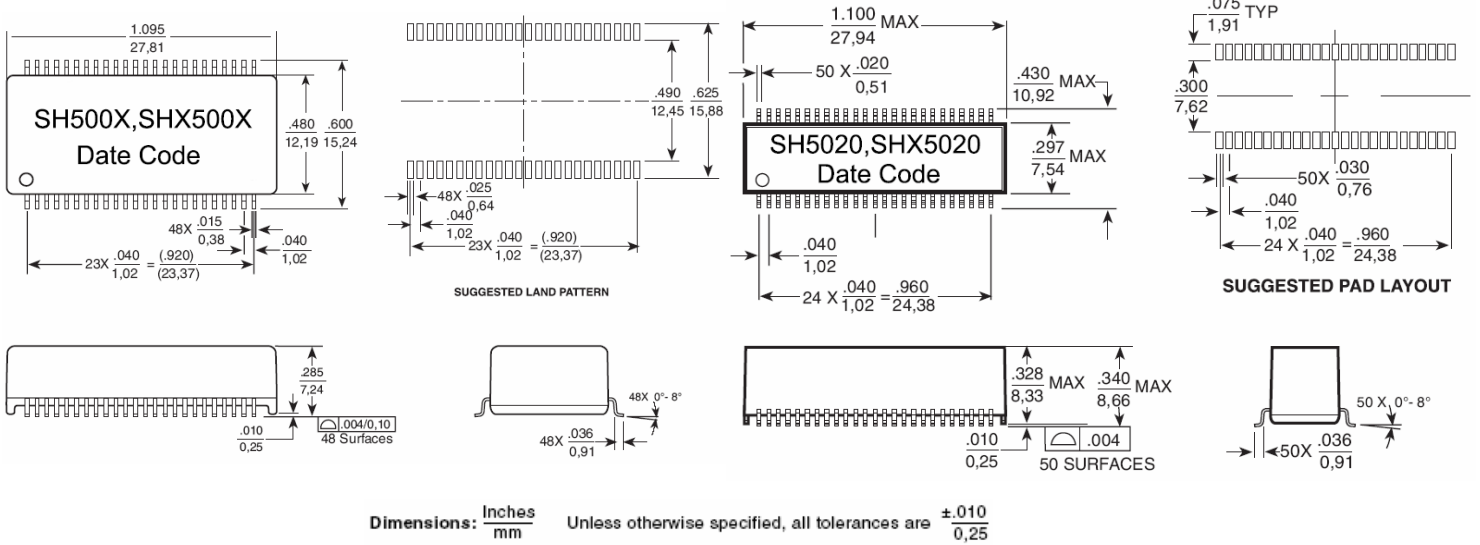
Designed to Support 1:1
Turns Ratio Transceivers



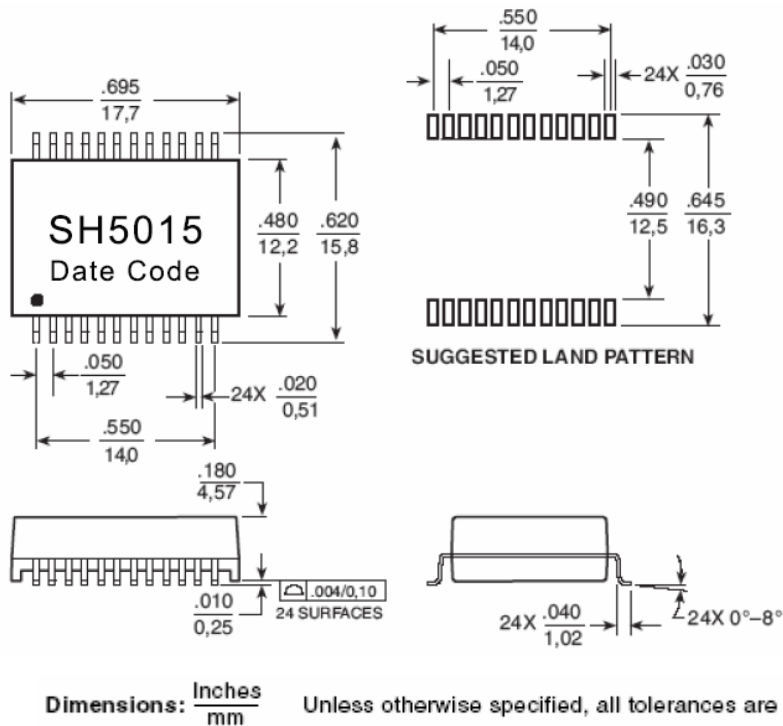
Mechanical

SH5012, SH5014, SHX5014, SH5089

SH5020, SHX5020



SH5015



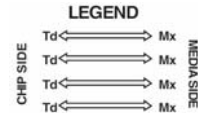
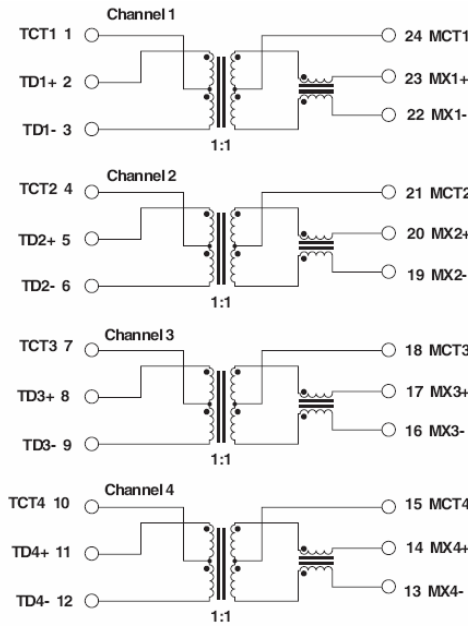
1000BASE-T MAGNETICS MODULES

Designed to Support 1:1
Turns Ratio Transceivers

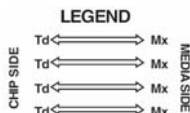
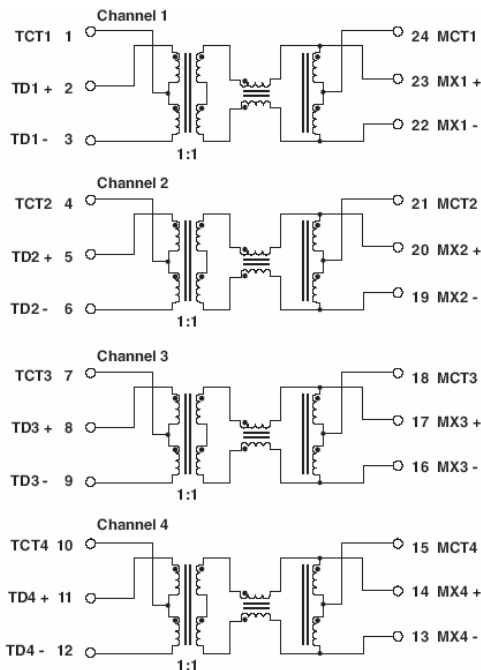


Schematics

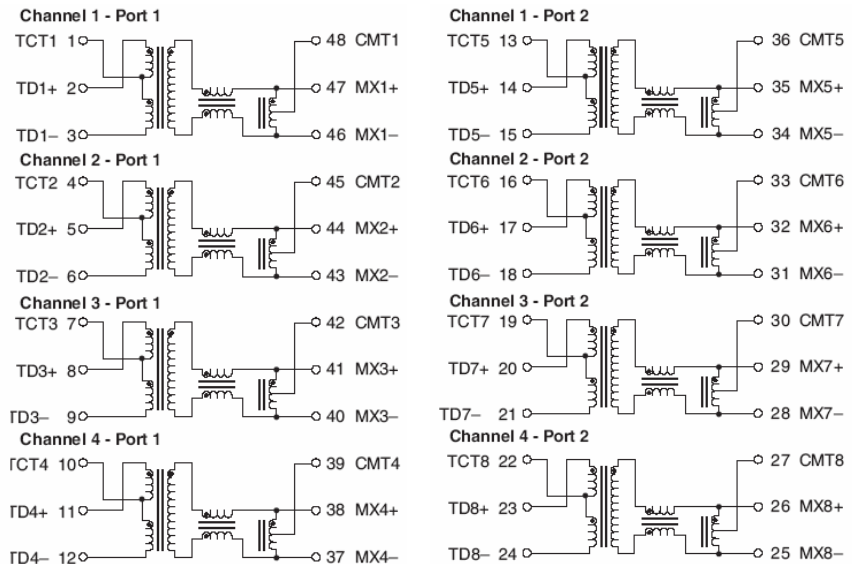
SH5004, SHX5004, SH5009



SH5007, SH5008 SHX5008, SH5015



SH5012, SH5089



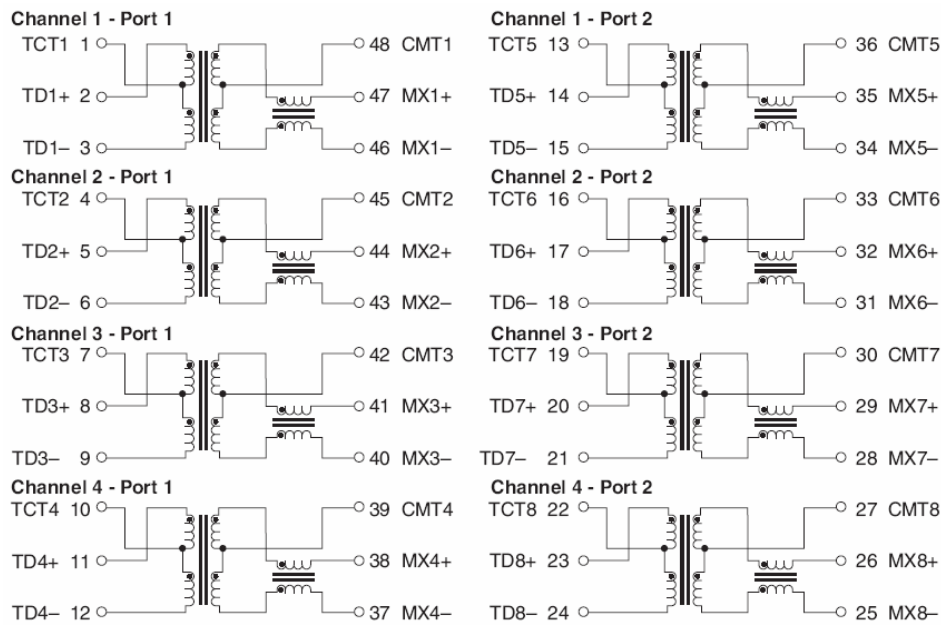
1000BASE-T MAGNETICS MODULES

Designed to Support 1:1
Turns Ratio Transceivers



Schematics

SH5014, SHX5014



SH5020, SHX5020

