

10/100BASE-T SINGLE PORT SURFACE MOUNT MAGNETICS

With Various Turns Ratios



- Meets IEEE 802.3 specification
- Compact footprint for use in the most space-restrictive applications
- RoHS "NL" peak solder rating 260°C
- non-RoHS peak solder rating 235°C

Electrical Specifications @ 25°C — Operating Temperature 0°C to 70°C

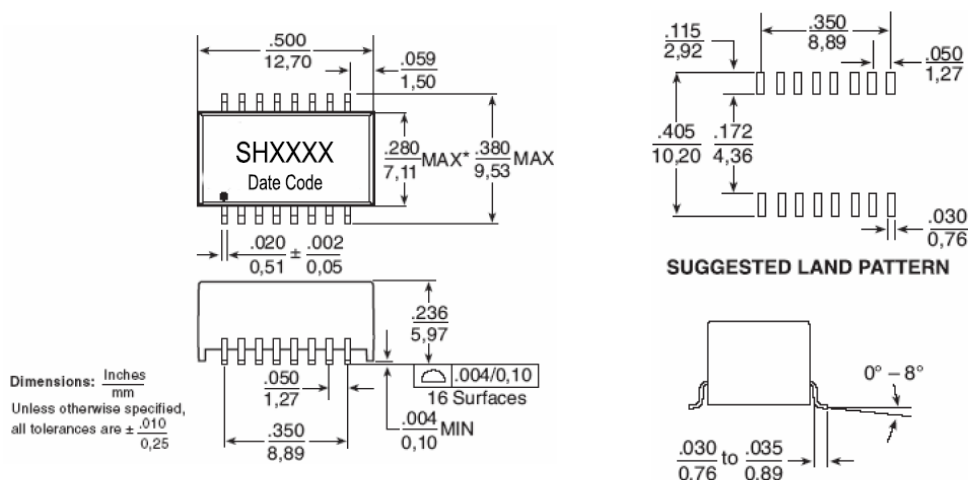
Part Number	Turns Ratio		Insertion Loss 100kHz-100MHz (dB MAX)	Return Loss (dB TYP)			Differential to Common Mode Rejection (dB TYP)			Crosstalk (dB TYP)			Hipot (Vrms MIN)
	TX	RX		30MHz	60MHz	80MHz	30MHz	50MHz	100MHz	30MHz	60MHz	100MHz	
SH1100	2:1	1:1	-1.1	-20	-14	-11.5	-42	-37	-33	-45	-40	-35	1500
SH1101	1.25:1	1:1	-1.1	-20	-14	-11.5	-42	-37	-33	-45	-40	-35	1500
SH1102	1:1	1:1	-1.1	-20	-14	-11.5	-42	-37	-33	-45	-40	-35	1500
SH1121	1:1.414	1:1	-1.1	-18	-12	-11.5	-42	-37	-30	-45	-40	-35	1500
SH1183	1:1	1:1	-1.0	-18	-14	-12	-40	-40	-40	-35	-35	-35	1500
SH1199	1:1	1:1	-0.9	-18	-12	-11	-40	-35	-30	-45	-45	-37	1500
SHX1188	1:1	1:1	-1.0	-20	-14	-12	-42	-37	-32	-45	-40	-35	1500
SHX1198	1:1	1:1	-1.0	-20	-14	-12	-42	-37	-32	-45	-40	-35	1500
SH1302	1:1	1:1	-1.1	-16	-10	-10	-42	-37	-32	-35	-30	-30	1500

1. Operating temperature -40°C to +85°C
2. For Tape & Reel packaging, add a "T" suffix at the end of the part number when ordering, e.g. SH1102T.
3. MSL = Moisture Sensitivity Level a=1 b=2 c=3 d=4

Mechanical

SH110X, SH1121, SH1183, SH1199, SHX1188, SHX1198, SH1302

* For part number SH1183, all dimensions are the same, except the height is .220" (5,59 mm).



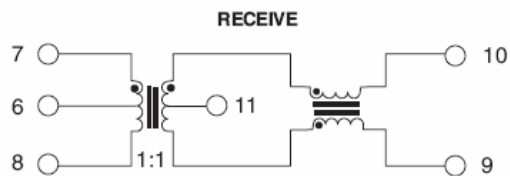
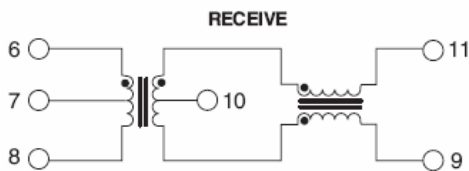
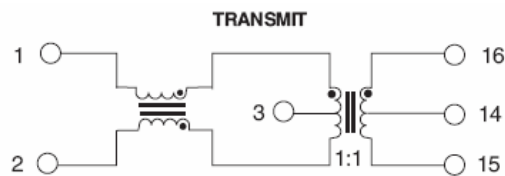
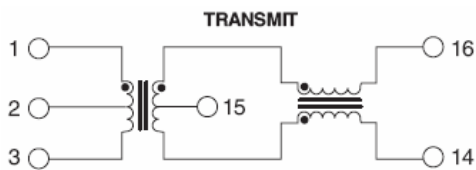
10/100BASE-T SINGLE PORT SURFACE MOUNT MAGNETICS With Various Turns Ratios



Schematics

SH110X, SH1121, SHX1188

SH1199



SHX1198, SH1183

SH1302

