

一. 产品说明 (GENREAL SPECIFICATION):

型号 (PATRNUMBER): SH1164

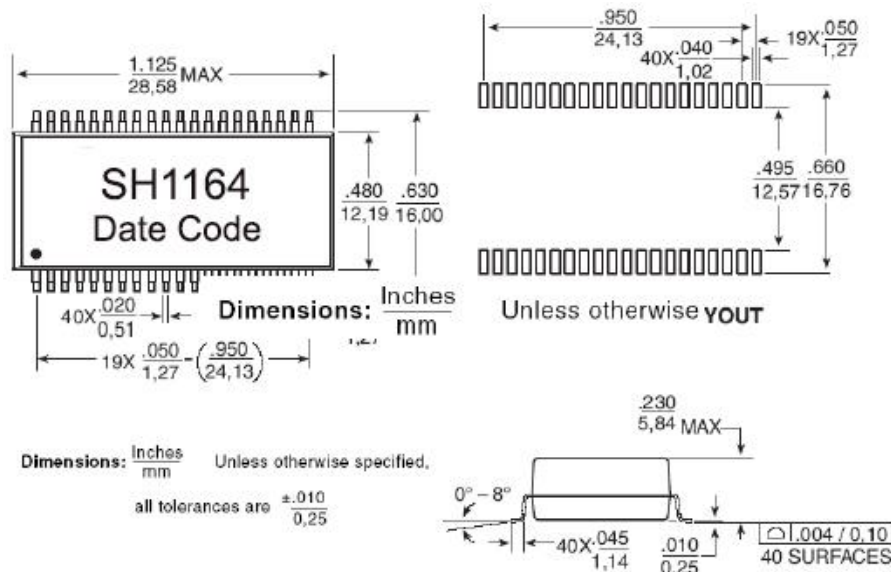
规格 (SPECIFICATION): 10/100BASE-T TRANSFORMER

贮存环境温度 (STORAGE TEMP RANGE): -25°C TO +125°C

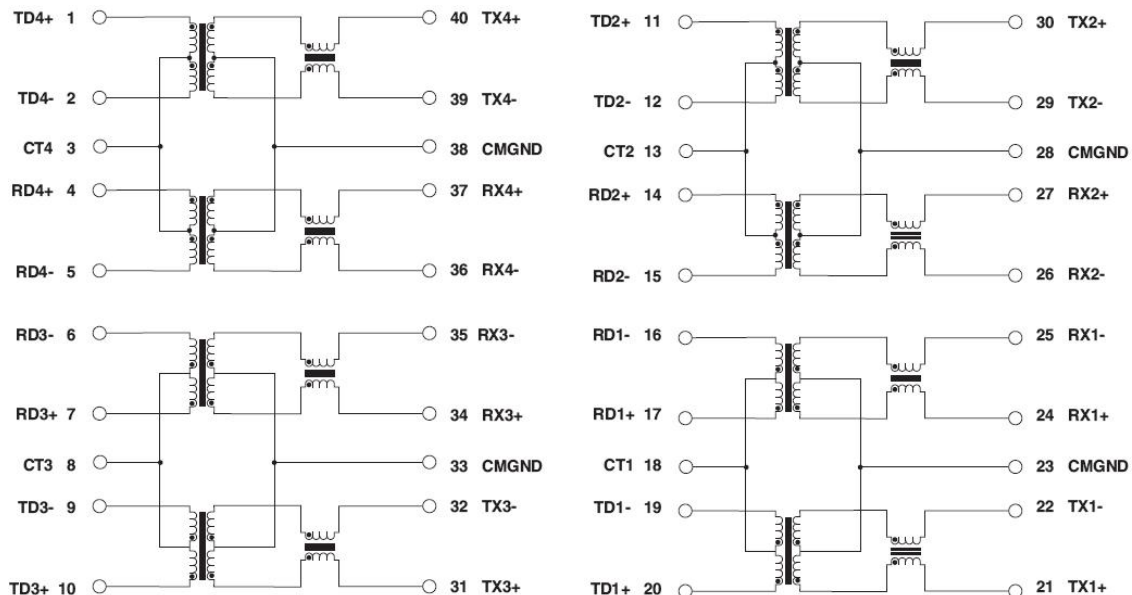
使用环境温度 (OPERATING TEMP RANGE): -0°C TO +70°C

封装型式 (PACKAGE): 40PIN SMD PACKAGE

二. 外形尺寸图 (OUTOINE DIMENSION):



三. 原理图 (SCHEMATIC):



#### 四. 电气参数 (ELECTRICAL SPECIFICATION): (25°C)

1. Turns Ratio ( $\pm 5\%$ ) : 1CT : 1CT (TX) TO 1CT : 1CT (RX)

2. Primary OCL Inductance :

@100KHz/0.1Vrms with 8mA/DC Bias 350  $\mu$ H Min

3. Cw/w : @100KHz/0.1Vrms 48 pF Max

4. LL: @100KHz/0.1Vrms 0.6 $\mu$ H Max

5. DCR :

Sec : 0.9  $\Omega$  Max Pri : 0.6  $\Omega$  Max

6. Insertion Loss :

@ 0.1 TO 100 MHz -1.0 dB Max

7. Return Loss :

@ 2 TO 30 MHz -18 dB Min

@ 40 MHz -14.4 dB Min

@ 50 MHz -13.1 dB Min

@ 60 TO 80 MHz -12 dB Min

8. Cross Talk :

@ 1 KHz -55 dB Min

@ 30 MHz -45 dB Min

@ 60 MHz -40 dB Min

@ 100 MHz -33 dB Min

9. Differential to Common Mode Rejection :

@ 1 TO 60 MHz -37 dB Min

@ 60 TO 200 MHz -25 dB Min

10. Isolation HI-POT : 1500 Vrms 1mA 6S

## 五. Profile of IR Reflow (Lead Free)

