

## 一. 产品说明 (GENREAL SPECIFICATION):

型号 (PATRNUMBER): SH5008

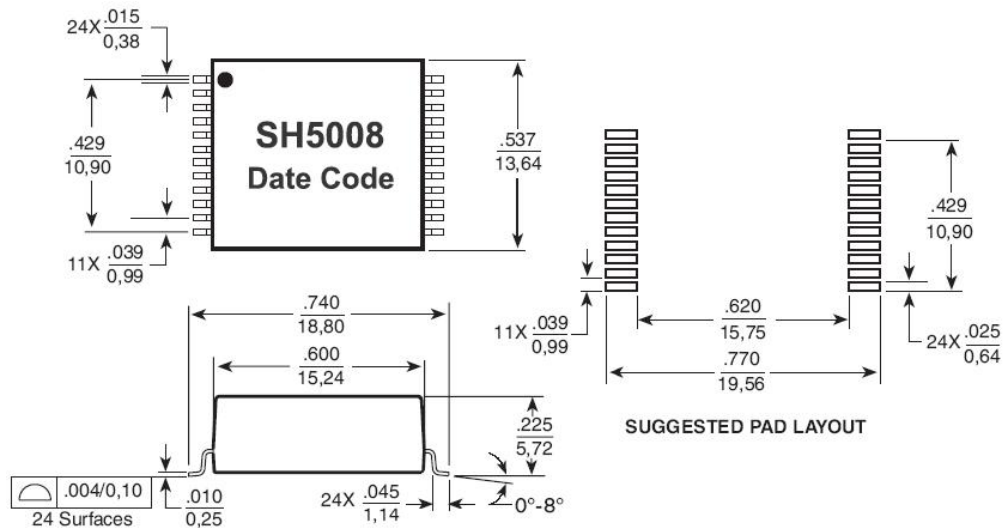
规格 (SPECIFICATION): 1000BASE-T TRANSFORMERS

贮存环境温度 (STORAGE TEMP RANGE): -25°C TO +125°C

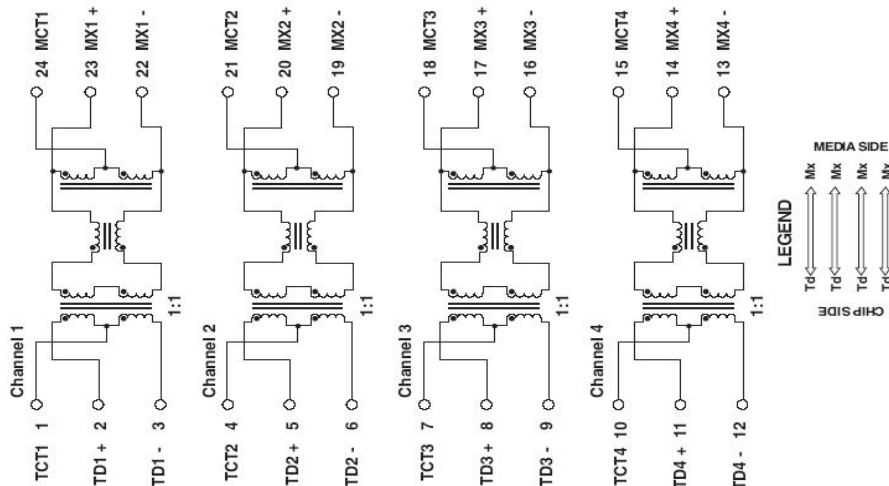
使用环境温度 (OPERATING TEMP RANGE): -0°C TO +70°C

封装型式 (PACKAGE): 24PIN SMD PACKAGE

## 二. 外形尺寸图 (OUTOINE DIMENSION):



## 三. 原理图 (SCHEMATIC):



## 四. 电气参数 (ELECTRICAL SPECIFICATION): (25°C)

1. Turns Ratio ( $\pm 5\%$ ) :

1CT : 1CT (TX) TO 1CT : 1CT (RX)

## 2. Primary OCL Inductance :

@100KHz/0.1Vrms with 8mA/DC Bias 350  $\mu$ H Min

3. Cw/w : @100KHz/0.1Vrms 28 pF Max

4.LL: @100KHz/0.1Vrms 0.6  $\mu$ H Max

## 5. DCR :

Sec : 0.6  $\Omega$  Max Pri : 0.9  $\Omega$  Max

## 6. Insertion Loss :

@ 1 TO 100 MHz -1.0 dB Max

## 7. Return Loss :

@ 1 TO 30 MHz -18 dB Min

@ 40 MHz -18 dB Min

@ 50 MHz -16 dB Min

@ 60 TO 80 MHz -12 dB Min

@ 100 MHz -10 dB Min

## 8. Cross Talk :

@ 30 MHz -43 dB Min

@ 60 MHz -37 dB Min

@ 100 MHz -33 dB Min

## 9. Differential to Common Mode Rejection :

@ 30 MHz                      -43 dB Min

@ 60 MHz                        -37 dB Min

@ 100 MHz                       -33 dB Min

10. Isolation HI-POT : 1500 Vrms 1mA 6S

#### 五. Profile of IR Reflow (Lead Free)

